

NEW

Vortex-Jet

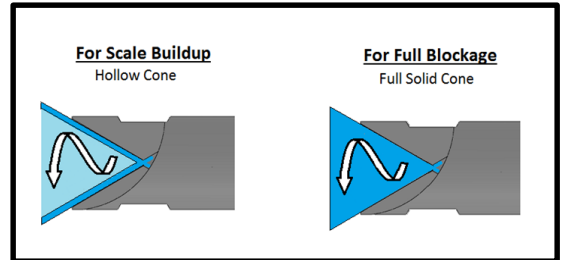
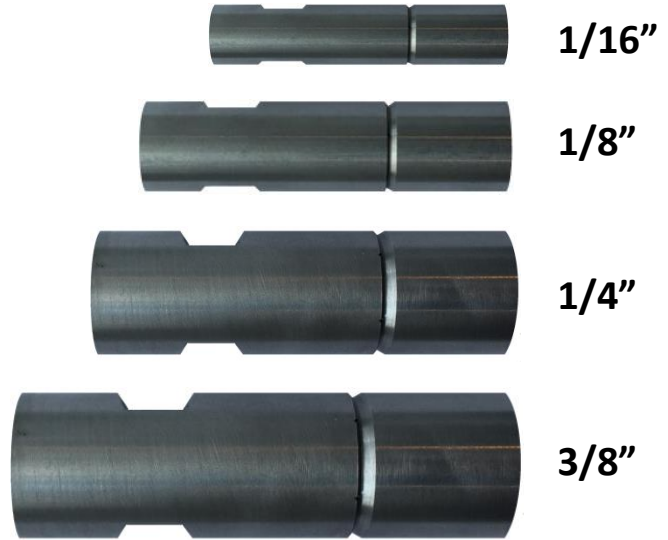
Tube Cleaning Nozzles (15,000 psi)

NOZZLE DYNAMICS



The patented Vortex-Jet cleaning nozzles are specifically designed for cleaning scale buildup or fully plugged tubes. The swirling vortex action of fluid from the forward facing jet creates a shearing action to clean debris. In the flex lance application design, Vortex-Jet uses a set of 6 rear thruster jets to propel the nozzle forward and flush debris from the tubes. The rigid lance design utilizes a taper tip for easier tube insertion and is available without rear jets.

- No moving parts
- Fluid spray to full diameter



V J 09 - 50 - U

Flow (gpm) OD (in) Spray - Scale Cleaning - Unplugging

Part No.	Flow (gpm) at specified pressures (psi)											
	4,000	5,000	6,000	7,000	8,000	9,000	10,000	11,000	12,000	13,000	14,000	15,000
VJ06-38	3	3.4	3.7	4	4.2	4.5	4.7	5	5.2	5.4	5.6	5.8
VJ09-50	5.0	5.5	6.0	6.4	6.8	7.1	7.5	7.8	8.1	8.4	8.7	9.0
VJ14-69	7.0	7.8	8.6	9.3	9.9	10.5	11.1	11.6	12.1	12.6	13.1	13.6
VJ25-93	13.0	14.5	15.9	17.2	18.4	19.5	20.6	21.6	22.5	23.4	24.3	25.2
VJ42-130	23.4	25.8	27.9	29.9	31.7	33.4	35.0	36.6	38.0	39.5	40.8	42.1

Part No.	Connections	Outside Diameter	
		in	mm
VJ06-38	1/16" NPTF	0.375	9.5
VJ09-50	1/8" NPTF	0.500	13
VJ14-69	1/4" NPTF	0.690	18
VJ25-93	3/8" NPTF	0.930	24
VJ42-130	1/2" NPTF	1.300	33

www.NozzleDyne.com

©2017 Nozzle Dynamics, All Rights Reserved

Contact: 270.320.0426

Info@NozzleDyne.com

NEW

Vortex-Jet

NOZZLE DYNAMICS

Tube Cleaning Nozzles (20,000 psi)

The patented Vortex-Jet cleaning nozzles are specifically designed for cleaning scale buildup or fully plugged tubes. The swirling vortex action of fluid from the forward facing jet creates a shearing action to clean debris. In the flex lance application design, Vortex-Jet uses a set of 6 rear thruster jets to propel the nozzle forward and flush debris from the tubes. The rigid lance design utilizes a taper tip for easier tube insertion and is available without rear jets.



1/4"

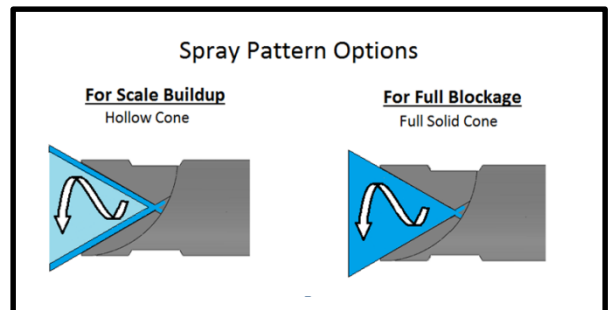


3/8"



9/16"

Also Available in Larger Diameters, See Below



V J 09 - 50 - U - 20K

Flow (gpm)

OD (in)

Spray -Scale cleaning -Unplugging

Part No.	Inlet Connections	Outside Diameter		Length	
		in	mm	in	mm
VJ06-50-20K	1/4-28 Female LH or RH	0.500	13	1.950	49.5
VJ09-57-20K	3/8-24 Female LH or RH	0.570	14.5	2	50.8
VJ14-69-20K	9/16-18 Female LH or RH	0.690	18	2.175	55.2
VJ21-93-20K	9/16-18 Female LH or RH	0.930	24	3.125	79.4
VJ26-130-20K	9/16 MP	1.300	33	4.125	105

Part No.	Flow (gpm) at specified pressures (psi)					Flow (lpm) at specified pressures (bar)				
	10,000	12,500	15,000	17,500	20,000	690	862	1,034	1,207	1,379
VJ06-50-20K	4.2	4.6	5.0	5.4	5.8	15.9	17.4	18.9	20.4	22.0
VJ09-57-20K	6.2	7.0	7.6	8.3	8.8	23.5	26.5	28.8	31.4	33.3
VJ14-69-20K	9.9	11.1	12.1	13.1	14.0	37.5	42.0	45.8	49.6	53.0
VJ21-93-20K	15.0	16.7	18.4	19.8	21.2	56.8	63.2	69.7	75.0	80.3
VJ26-130-20K	18.3	20.5	22.5	24.4	26.1	69.3	77.6	85.2	92.4	98.8

www.NozzleDyne.com

Contact: 270.320.0426

Info@NozzleDyne.com